



### Model Number

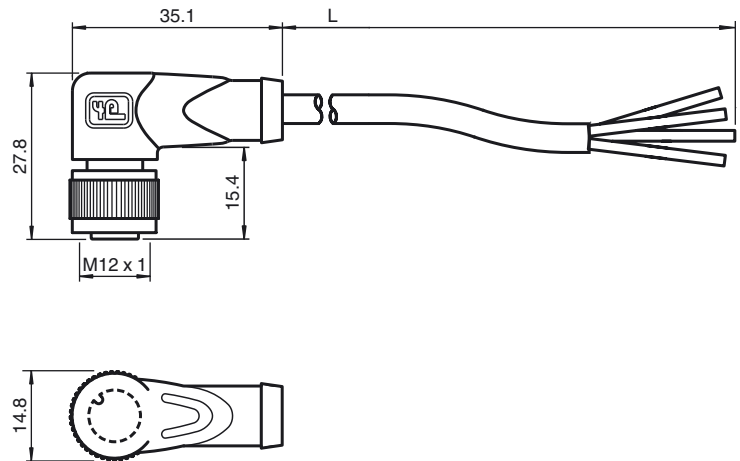
#### V1-W-OR10M-POC

Female cordset, M12, 4-pin, TPE cable, welding-bead resistant

### Features

- Resistant to welding bead formation
- Suitable for robotic applications / torsion resistant
- Does not give off silicone
- Ozone resistant
- Knurled nut suitable for tool assembly
- Immunity to vibration, with mechanical latching
- Gold-plated and machined contacts
- Degree of protection IP67 / IP68 / IP69K

### Dimensions



### Technical data

#### General specifications

Number of pins	4
----------------	---

#### Electrical specifications

Operating voltage	$U_B$	max. 250 V AC/DC
Test voltage		> 1500 V <sub>eff</sub> AC
Operating current	$I_B$	max. 4 A
Volume resistance		< 5 m $\Omega$

#### Ambient conditions

Ambient temperature	Body: -40 ... 90 °C (-40 ... 194 °F) Cable, flexing: -15 ... 120 °C (5 ... 248 °F) for 20000 h -15 ... 150 °C (5 ... 302 °F) for 3000 h cable, fixed: -40 ... 120 °C (-40 ... 248 °F) for 20000 h -40 ... 150 °C (-40 ... 302 °F) for 3000 h
Pollution degree	3

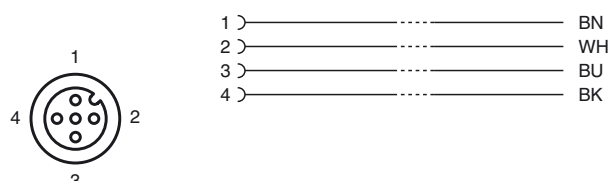
#### Mechanical specifications

Contact elements	spring-loaded contact socket
Pin diameter	1 mm
Degree of protection	IP67 / IP68 / IP69K
Material	
Contacts	CuSn / Au
Contact surface	Au
Body	TPU, black
Cable	TPE resistant to welding bead formation
Slotted nut	Diecast zinc
Core insulation	ETFE
Cable	fine-strand, flexible
Sheath diameter	$\varnothing$ 4.8 mm
Bending radius	> 10 x cable diameter, moving
Color	orange
Number of cores	4
Core cross-section	0.34 mm <sup>2</sup>
Conductor construction	19 x 0.16 mm $\varnothing$
Length	L 10 m
Flammability	
Contact carrier	HB
Housing	V-2
Cable	flame-resistant

#### Compliance with standards and directives

Standard conformity	
Degree of protection	EN 60529:2000
Standards	IEC 61076-2-101:2008

### Electrical connection





Flammability

Body: UL 94  
Line: UL 1581 Section 1061; IEC 60332-1-2:2004

Release date: 2016-04-20 14:09 Date of issue: 2016-04-20 23:03 eng.xml